

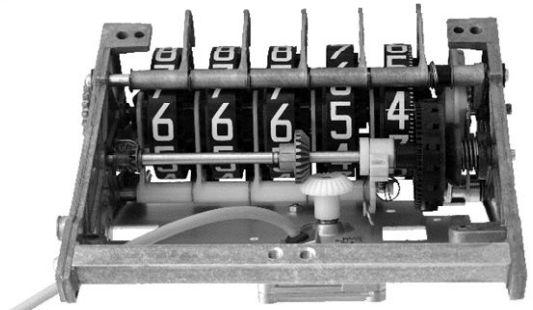
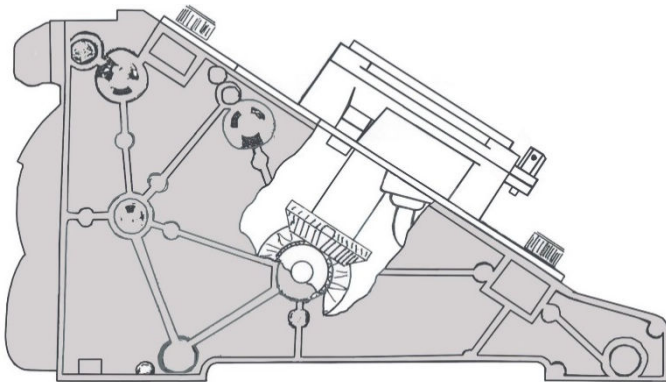
Overview

Eltomatic offers several solutions for upgrading a mechanical meter register by fitting it with an electronic interface. We presently have four kit versions in our range.

→ **Please note!** Not supplied are screws for mounting the shaft encoder/bracket/printer in the meter register and a rubber grommet for the shaft encoder cable entry into the meter register.

Electronic interface upgrade kit for VR mechanical registers without printer

- ✓ 1pcs shaft encoder type 01-09 with bracket no. 71.1007 and coupling no. 62.0162
- ✓ 2pcs Hex-head screw M4x10 no.51.1530
- ✓ 2pcs M4 nuts no. 53.0010
- ✓ 2pcs Lock washers M4, no. 52.1540



Electronic interface upgrade kit for VR mechanical registers with printer

- ✓ 1pcs shaft encoder type 01-09 with coupling no. 62.0071 and no. 61.0505
 - ✓ 1pcs split gear no 61.1013
 - ✓ 2pcs screw plastic 3x12 no. 51.5502
 - ✓ 2pcs lock washer M4 no. 52.1540
 - ✓ 2pcs distance piece no. 64.0011
 - ✓ 2pcs screw M4x12 no. 51.1710
- Other: A drilling fixture is required (Drawing can be supplied on request)

